



DASH

DYNAMIC ACCUMULATION BY SHUTTLEWORTH

PrH

PRODUCT
HANDLING

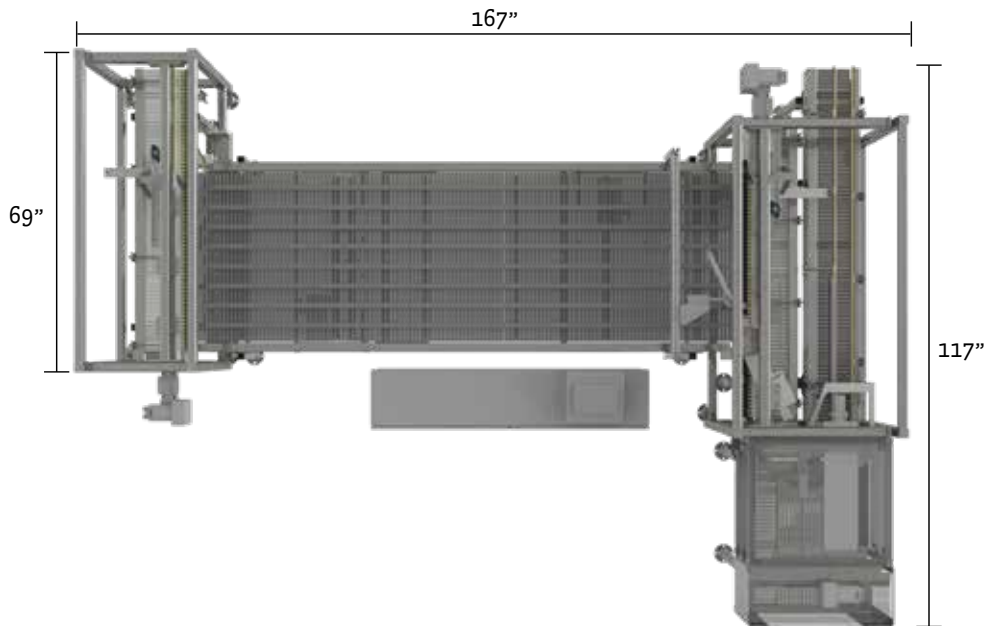
> Ideal for automotive, food & beverage, consumer & pharmaceutical products

DASH from Shuttleworth® offers dynamic, continuous motion accumulation - resulting in increased throughput and enhanced line efficiencies. The versatile DASH delivers high-speed, low back pressure buffering - allowing for gentle product handling and precise product placement on the conveyor while continuing to take product flow from an upstream line for a period of time.

DASH systems can absorb surge or gap irregularities in the production flow and even the rate of product discharge to provide a smooth, even flow on the line. A servo controlled guide provides efficient lane changing of incoming product, eliminating product backlog at point of entry.

FEATURES AND BENEFITS

- Dynamic, on-demand accumulation
- Gentle product handling
- FiFo - First in, First out accumulation
- Functionality to enhance product flow
- Dense product accumulation allowing products to touch without damage due to low back pressure
- Increased line efficiency by minimizing downtime
- Reliable solution requiring low maintenance
- Accommodates round, square or rectangular products



DASH combines the benefits of gentle product handling, efficient line balancing and accumulation into a compact footprint design using low back pressure and low friction operation in applications with high-speed capabilities of up to 500 ppm. Shuttleworth's DASH offers flexible integration with scalable design based on product size and accumulation duration desired. Its easy operation and low maintenance make it the ideal solution for today's manufacturers.

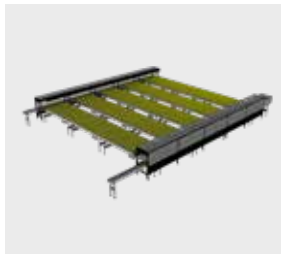
DESIGN OPTIONS



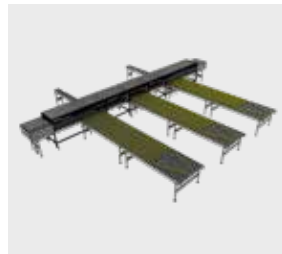
LONG



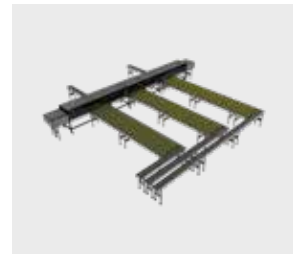
WIDE



SQUARE



2:3 INLINE



2:3 RIGHT ANGLE

Scalable design options allows throughput capacity to be rapidly and cost-effectively adjusted as needed for flexible product flow in achieving maximum throughput capacity during operations.

THE SHUTTLEWORTH ADVANTAGE

Improving your product quality doesn't have to be difficult. With our accumulation and buffering capabilities, we can help simplify your product handling and packaging processes to maximize your product output, protect product integrity, and improve your overall manufacturing efficiencies.

From automotive and electronics, to paper conversion and pharmaceuticals, to food and consumer good markets and beyond, manufacturers across the globe rely on Shuttleworth's proven product handling solutions to increase line efficiency, maximize profitability, and minimize risk. As part of the ProMach Product Handling business line, Shuttleworth helps our packaging customers protect and grow the reputation and trust of their consumers. ProMach is performance, and the proof is in every package.